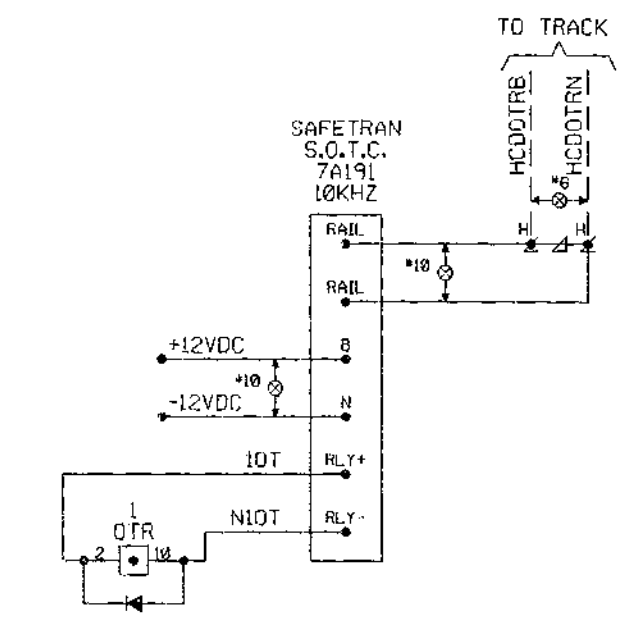


ALL NEW WORK
INSTALL AND CHECK
AS A WHOLE



CONRAIL

HI CAR - M.P. 0.0

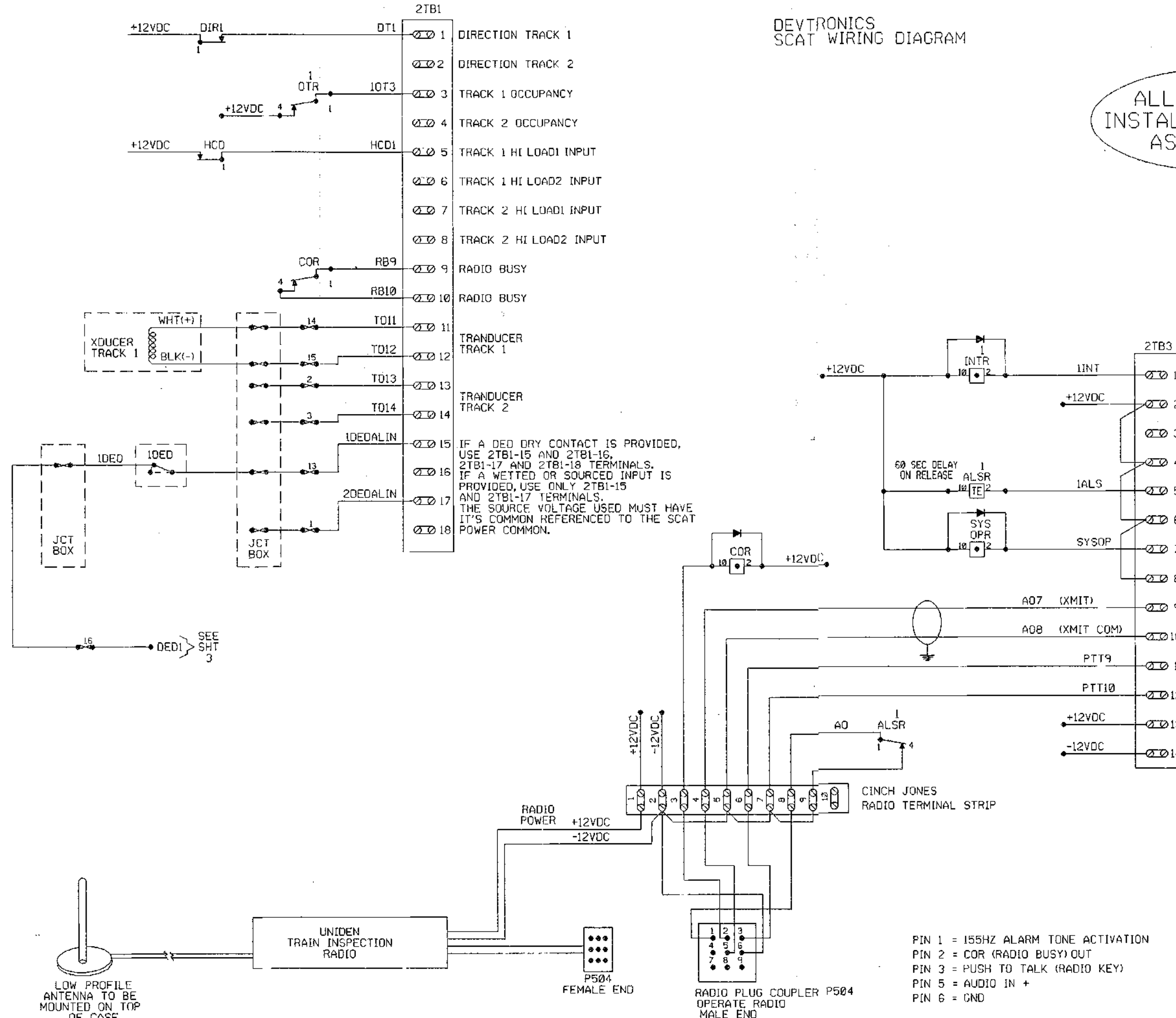
BOUND BROOK, NJ

POWER CIRCUITS AND CABLE LAYOUT
DIRECTIONAL INPUTS AND ALARM INPUTS

ISSUE DATE: AUGUST 15, 1995	0336-0000
REV. 1	8-15-95
SHEET 3	

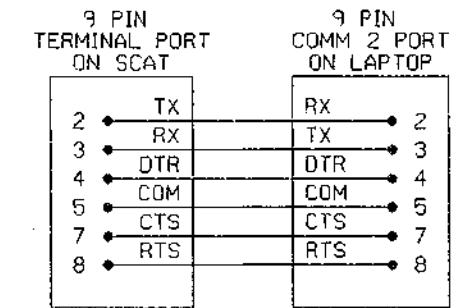
DEVTRONICS SCAT WIRING DIAGRAM

ALL NEW WORK
INSTALL AND CHECK
AS A WHOLE

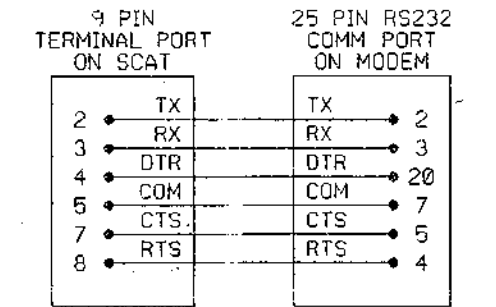


CABLING FOR RS232 COMMUNICATIONS ON DEVTRONICS SCAT

TERMINAL CONNECTIONS



MODEM CONNECTIONS



NOTES:

RUN GROUND WIRE TO EDCO SURRESTOR PROTECTOR. TERMINAL SOFTWARE TO BE SET UP WITH THE FOLLOWING PARAMETERS: 2400 N 8 1 V1100 MODE RTS/CTS = ON (FLOW CONTROL) CR TRANSLATION = CR/LF

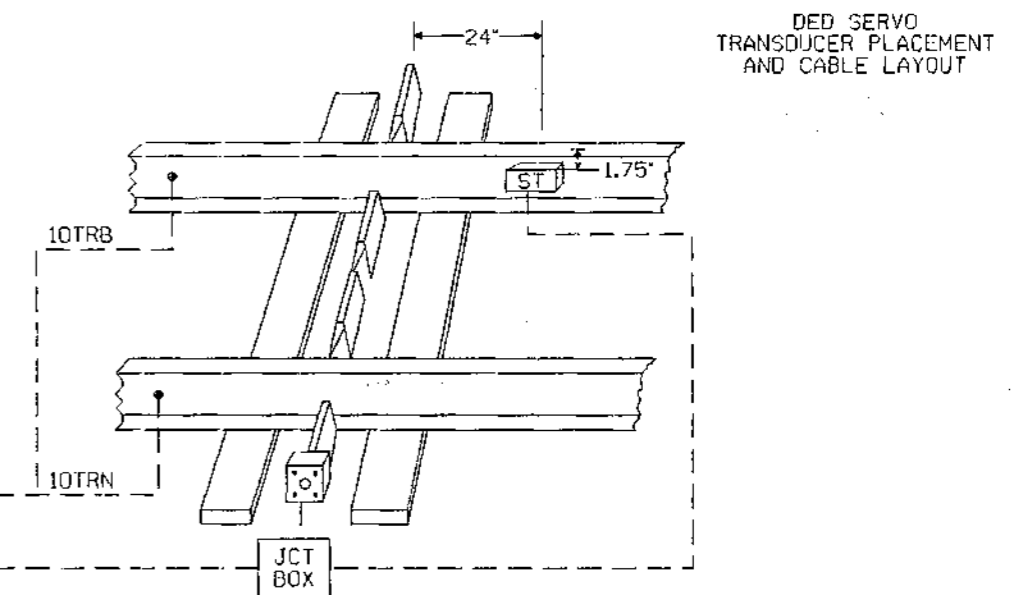
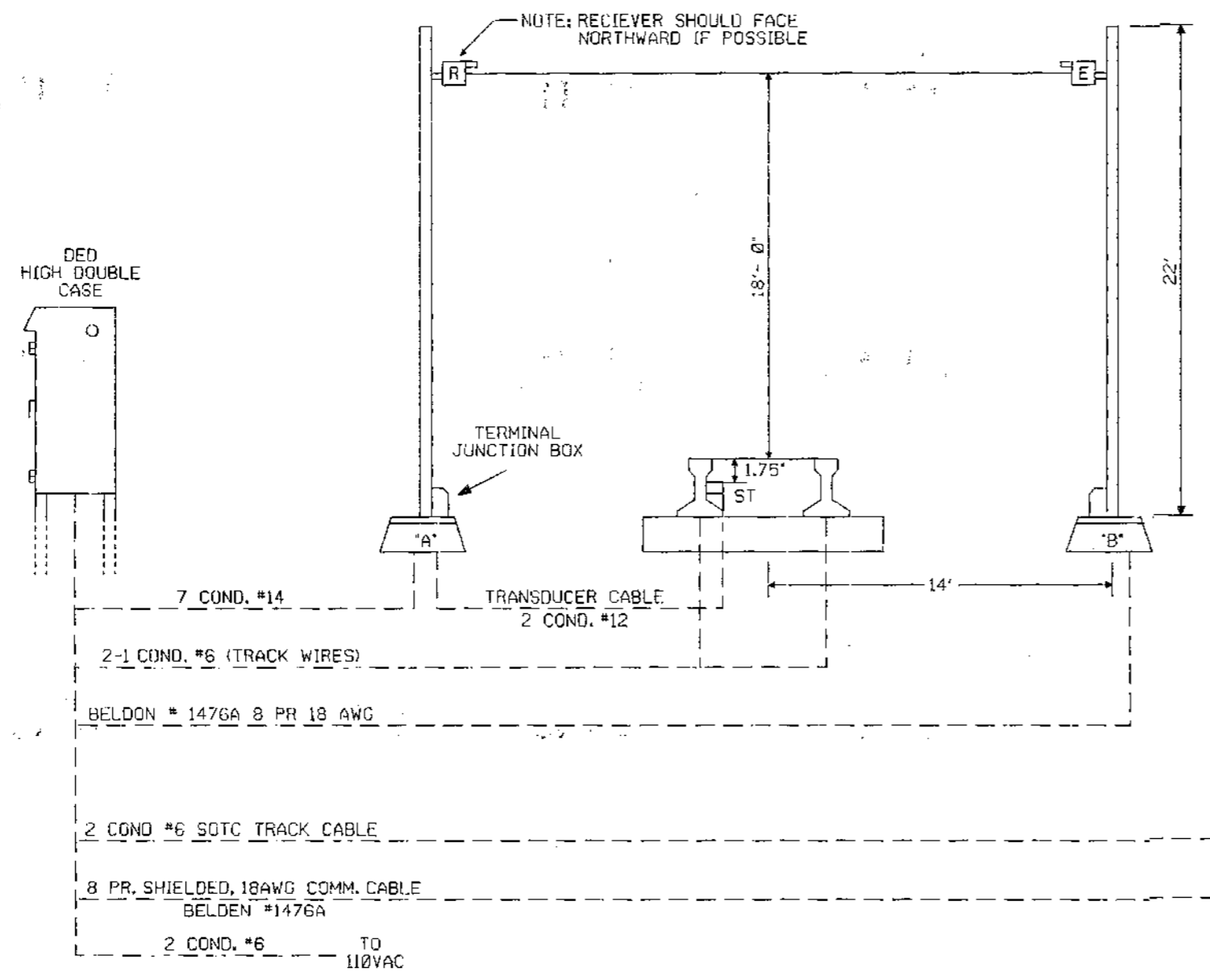
DIP SWITCH SETTINGS FOR DEVTRONICS MAIN BOARD SLOT 1A12 SWITCHES S1 & S2

- S1-1 = OFF S2-1 = OFF
- S1-2 = ON S2-2 = OFF
- S1-3 = ON S2-3 = OFF
- S1-4 = ON S2-4 = ON
- S1-5 = ON S2-5 = OFF
- S1-6 = ON S2-6 = OFF
- S1-7 = OFF S2-7 = OFF
- S1-8 = OFF S2-8 = OFF

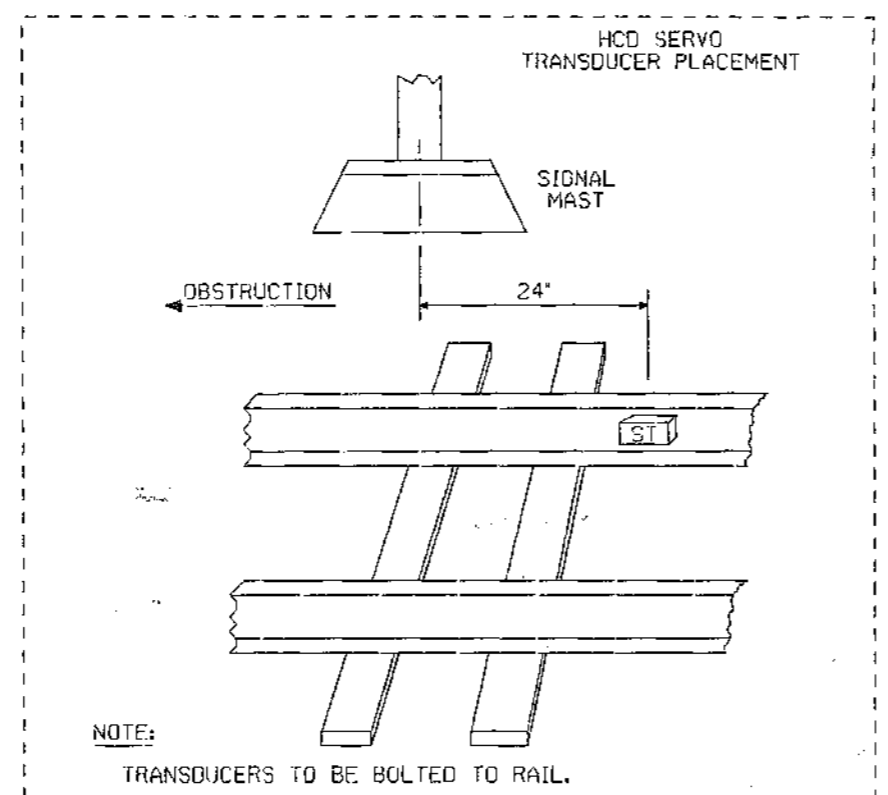
DIP SWITCH SETTINGS FOR DEVTRONICS INPUT BOARD SLOT 1A3 & 1A4

- S1-1 = ON S2-1 = ON
- S1-2 = ON S2-2 = ON
- S1-3 = ON S2-3 = ON
- S1-4 = ON S2-4 = ON

CONRAIL
HI CAR - M.P. 0.0 BOUND BROOK, NJ
DEVTRONICS - SCAT TALKER
HCD/DED
ISSUE DATE: AUGUST 15, 1995 0336-0200
REV. 1 8-15-95 SHEET 4



- NOTES:
1. SIGNAL MAST TO BE IN ACCORDANCE WITH STANDARD PLAN CS-0025A-5
 2. MAST FOUNDATION TO BE IN ACCORDANCE WITH STANDARD PLAN CS-2507A-5
 3. CASE TO BE IN ACCORDANCE WITH STANDARD PLAN CS-2001 SH. 2
 4. BEAM TO BE TRANSMITTED 19' 0" ABOVE RAIL ON BRC TRACK ONLY.
 5. TRANSUCERS TO BE SERVO TRIP
 6. PHOTO-EYE EQUIPMENT TO BE AUTOTRON PART #S:
 - A. LIGHT SOURCE - LRDHML
 - B. RECEIVER - RCDHPT306
 - C. SWIVEL BRACKET - P875 WITH NT320 MODE
 - D. WEATHER SHIELD - P960
 7. PHOTO-EYE RECEIVER TO BE SET FOR LIGHT PHASE OPERATION.
 8. PHOTO-EYE RECEIVER LOGIC CARD TO BE SET FOR 1 SEC. OFF DELAY.
- LEGEND:
- E = LIGHT SOURCE
 - R = PHOTO-EYE RECEIVER
 - ST = SERVO TRANSUCER
 - TJB = TRANSUCER JUNCTION BOX

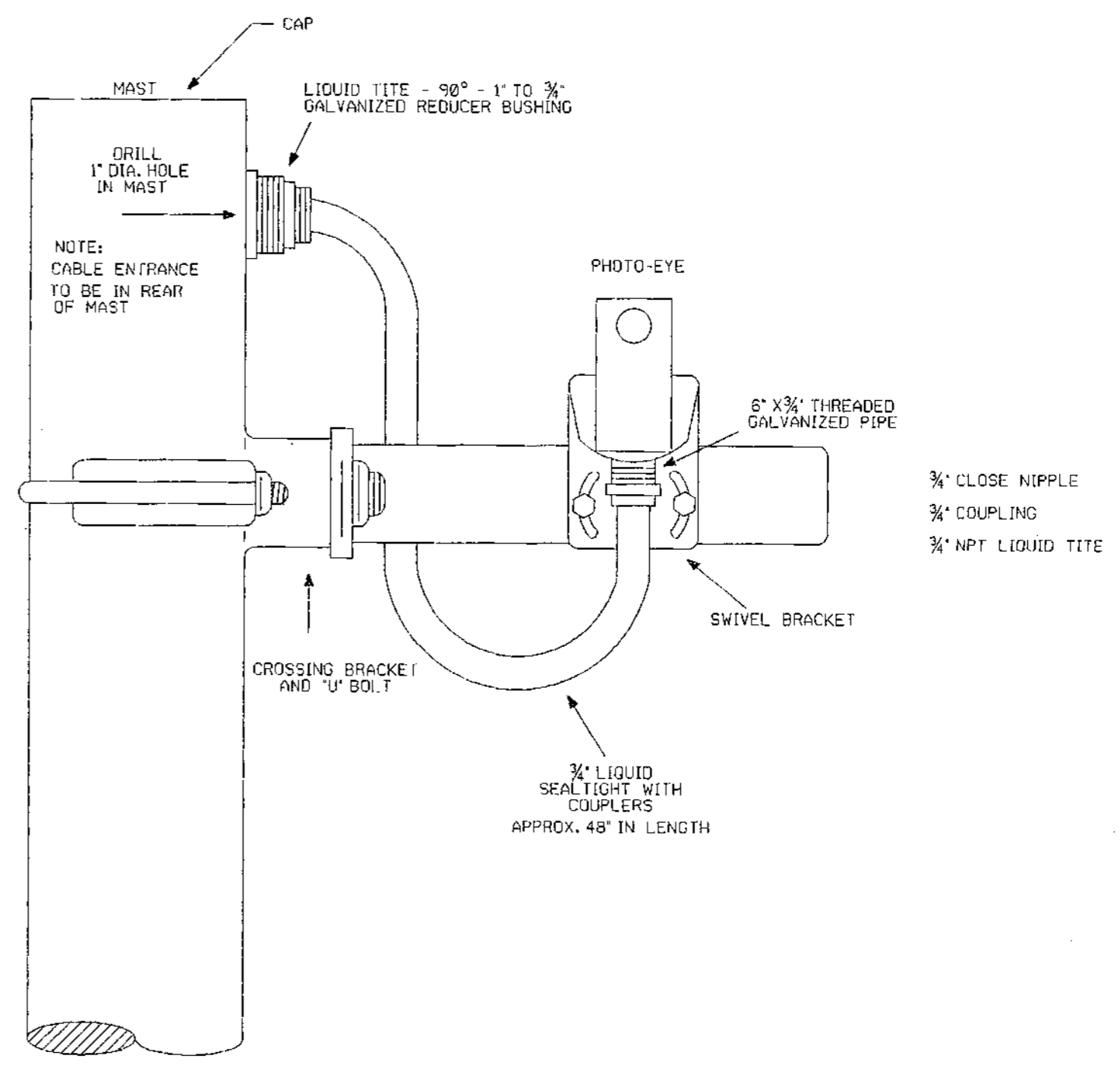
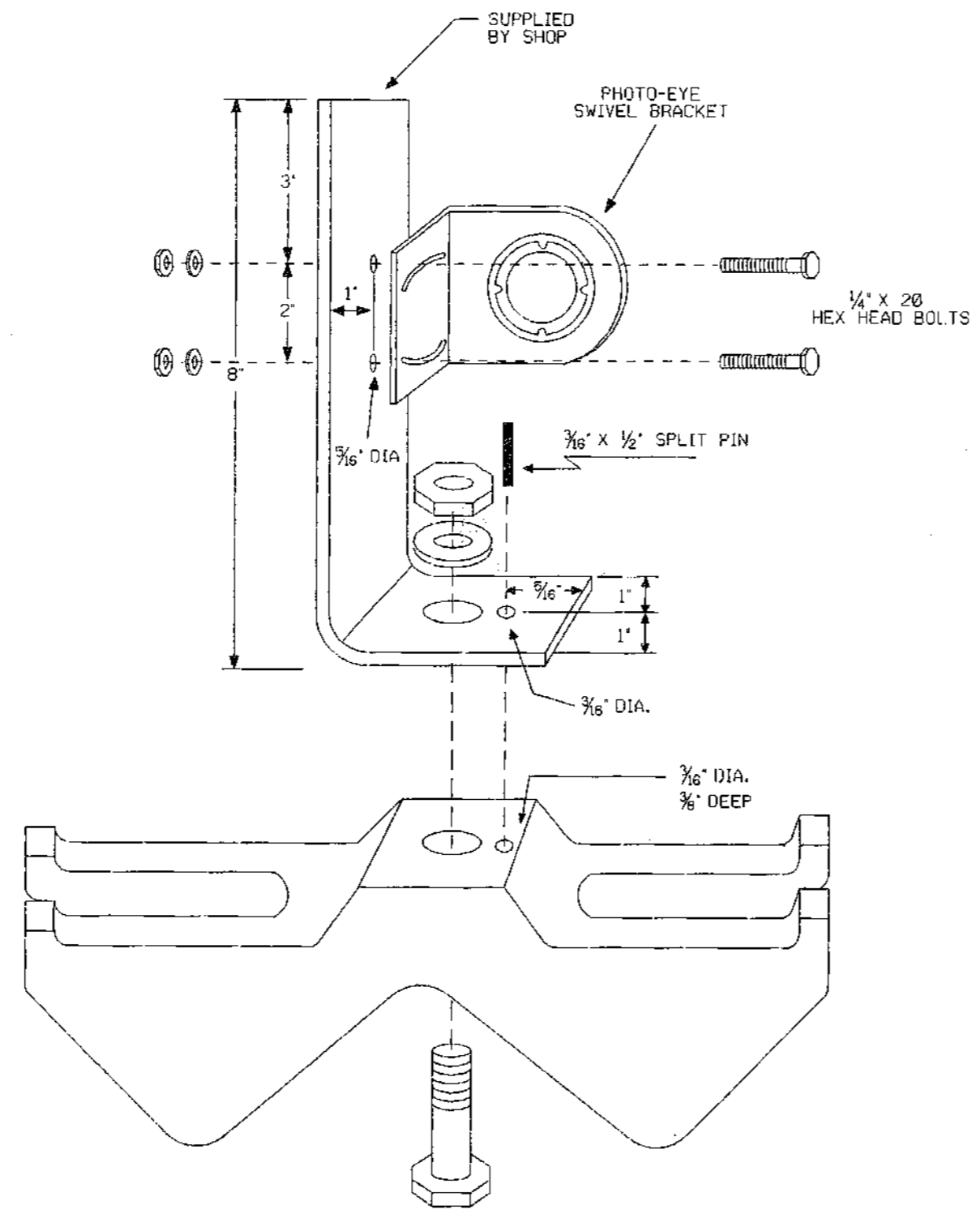


CONRAIL

HI CAR - M.P. 0.0 BOUND BROOK, NJ

SERVO DEFECT DETECTOR
HIGH CAR DETECTOR LAYOUT PLAN
AND CABLE LAYOUT - HIGH DOUBLE CASE

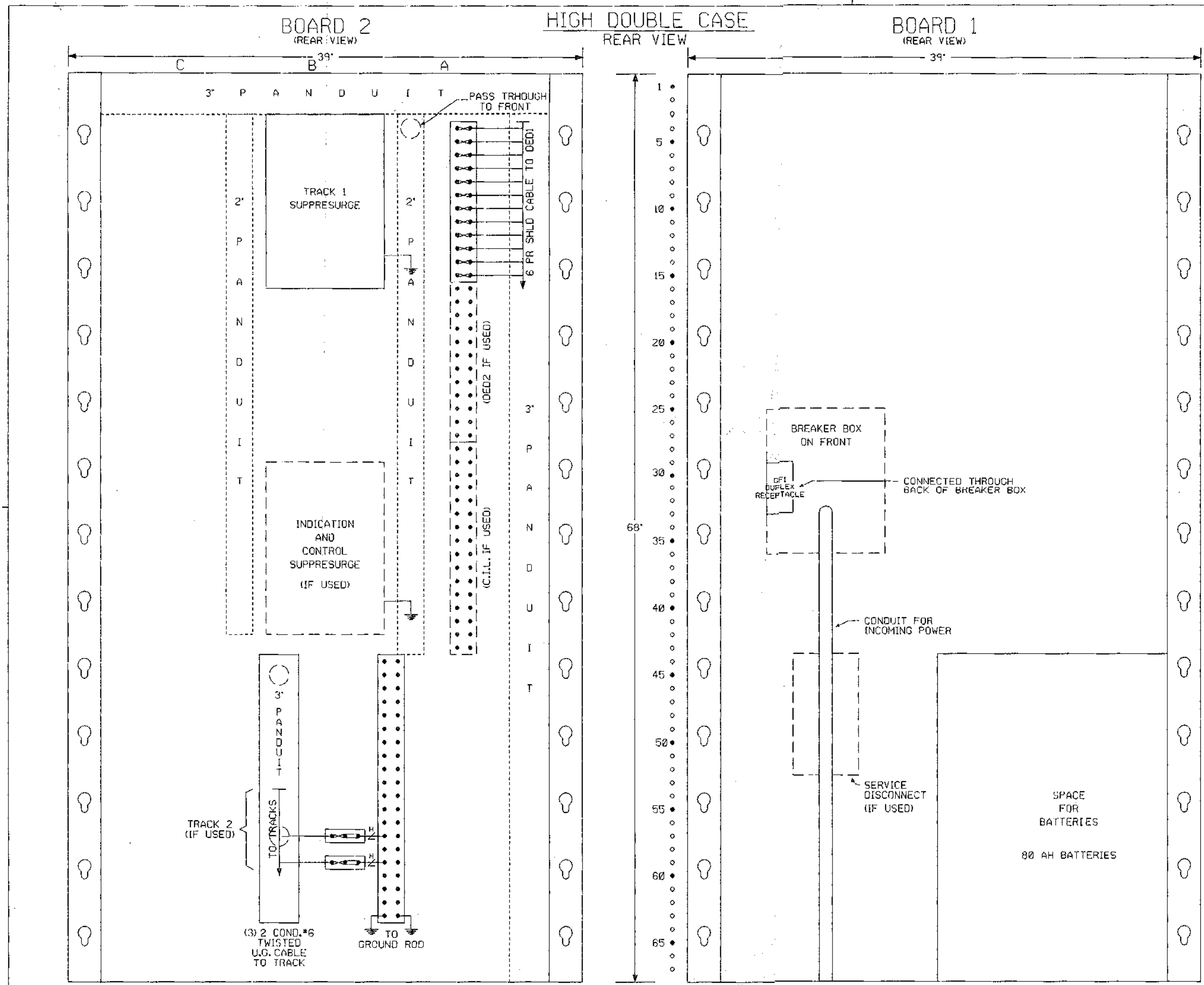
ISSUE DATE: AUGUST 15, 1995	0336-0200
REV. 1	8-15-95
SHEET 5	



HI CAR - M.P. 0.0 BOUND BROOK, NJ

PHOTO-EYE MOUNTING DETAIL

ISSUE DATE:	AUGUST 15, 1995	0336-0000
REV. 1	8-15-95	SHEET 6



ALL NEW WORK
INSTALL AND CHECK
AS A WHOLE

- NOTES:
- 02 050753 - TERMINAL BLOCK FOR EQUALIZER
 - 02-048757 - TERMINAL STRIP
 - 02-150009 - BUSS LINK
 - 02-286662 - TEST LINK ASSEMBLY
 - 02-025920 - ARRESTOR, HEAVY DUTY
 - 02-025565 - ARRESTOR
 - 02-197950 - EQUALIZER

GROUND CONNECTION TO BE IN ACCORDANCE WITH STANDARD PLAN CS-9001-A

CONRAIL

HI CAR - M.P. 0.0 BOUND BROOK, NJ

HIGH DOUBLE CASE DETAIL
REAR VIEW

ISSUE DATE: AUGUST 15, 1995	0336-0000
REV. 1	SHEET 8